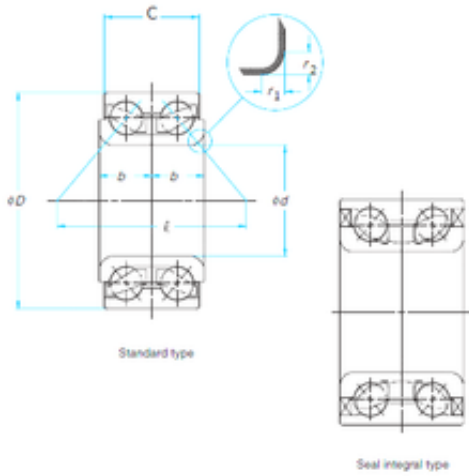




BEARING DRIVESHAFT, INC.

42 mm x 84 mm x 36 mm ISO DAC42840036
angular contact ball bearings



Bearing No. DAC42840036

Size	42x84x36 mm
Bore Diameter	42 mm
Outer Diameter	84 mm
Width	36 mm
d	42 mm
D	84 mm
B	36 mm
C	36 mm

DAC42840036 Bearing 2D drawings and 3D CAD models