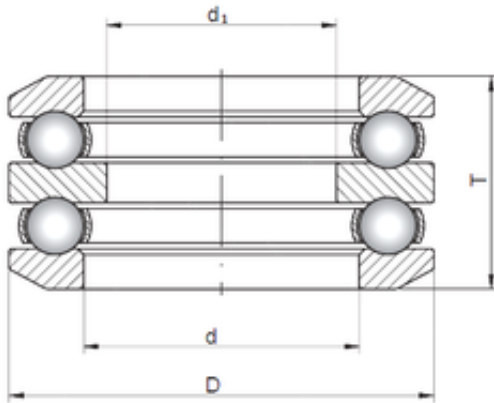




BEARING DRIVESHAFT, INC.

ISO 54210 thrust ball bearings



Bearing No. 54210

Size	52x78x42 mm
Bore Diameter	52 mm
Outer Diameter	78 mm
Width	42 mm
d	52 mm
d1	40 mm
D	78 mm
T	42 mm

54210 Bearing 2D drawings and 3D CAD models