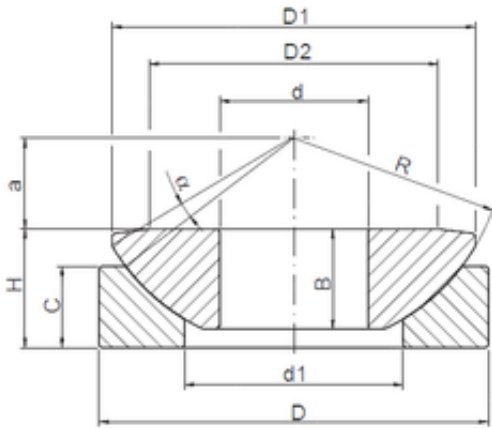




BEARING DRIVESHAFT, INC.



35 mm x 90 mm x 22 mm ISO GE35AW plain bearings

Bearing No. GE35AW

Size	35x90x28 mm
Bore Diameter	35 mm
Outer Diameter	90 mm
Width	28 mm
d	35 mm
D	90 mm
H	28 mm
a	22 mm
d1	52 mm
B	22 mm
C	20 mm
D1	84 mm
D2	66 mm
R	98 mm
Angle	6 °

GE35AW Bearing 2D drawings and 3D CAD models