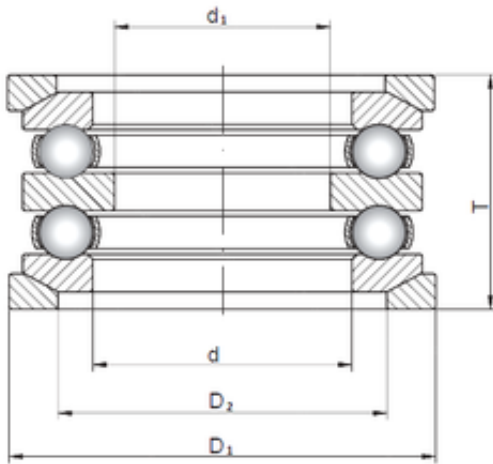




BEARING DRIVESHAFT, INC.

ISO 54212U+U212 thrust ball bearings

Bearing No. 54212U+U212



Bore Diameter	62 mm
d	62 mm
d1	50 mm
D1	100 mm
D2	78 mm
T	56 mm

54212U+U212 Bearing 2D drawings and 3D CAD models