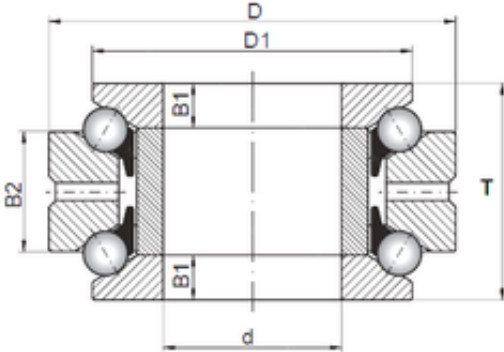




BEARING DRIVESHAFT, INC.

ISO 234426 thrust ball bearings

Bearing No. 234426



234426 Bearing 2D drawings and 3D CAD models

| | |
|----------------|---------------|
| Size | 130x200x84 mm |
| Bore Diameter | 130 mm |
| Outer Diameter | 200 mm |
| Width | 84 mm |
| d | 130 mm |
| D | 200 mm |
| T | 84 mm |
| B1 | 21 mm |
| B2 | 42 mm |
| D1 | 177 mm |