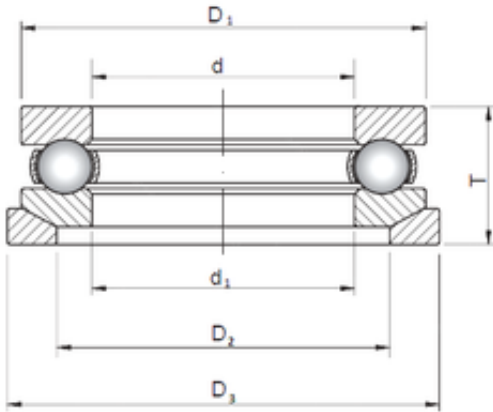




# BEARING DRIVESHAFT, INC.

## ISO 53320U+U320 thrust ball bearings

Bearing No. 53320U+U320



Bore Diameter	100 mm
Outer Diameter	170 mm
d	100 mm
d1	103 mm
D	170 mm
D1	170 mm
T	64 mm
D2	135 mm
D3	175 mm

53320U+U320 Bearing 2D drawings and 3D CAD models