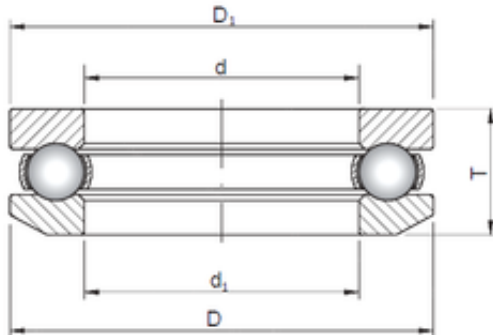




BEARING DRIVESHAFT, INC.

ISO 53410 thrust ball bearings



Bearing No. 53410

Bore Diameter	50 mm
Outer Diameter	110 mm
d	50 mm
d1	52 mm
D	110 mm
D1	110 mm
T	45,6 mm

53410 Bearing 2D drawings and 3D CAD models