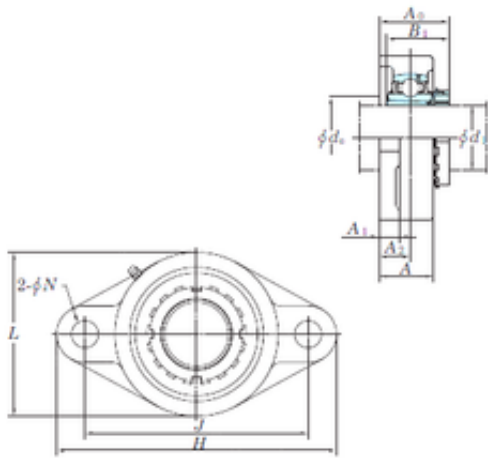




BEARING DRIVESHAFT, INC.

KOYO UKFL309 bearing units

Bearing No. UKFL309



UKFL309 Bearing 2D drawings and 3D CAD models

Bore Diameter	41,275 mm
d	41,275 mm
A0	55 mm
A	44 mm
A1	18 mm
B1	50 mm
H	230 mm
J	177 mm
L	125 mm
N	25 mm
Bolt (G)	M22
A2	25 mm
Weight	3,6 Kg
Basic dynamic load rating (C)	48,9 kN
Basic static load rating (C0)	29,5 kN