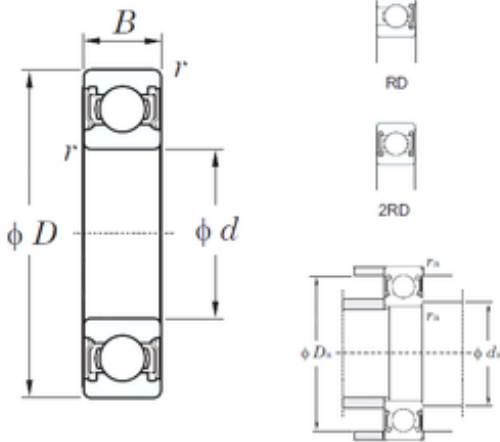




BEARING DRIVESHAFT, INC.



80 mm x 100 mm x 10 mm KOYO 6816-2RD
deep groove ball bearings

Bearing No. 6816-2RD

6816-2RD Bearing 2D drawings and 3D CAD models

Size	80x100x10 mm
Bore Diameter	80 mm
Outer Diameter	100 mm
Width	10 mm
d	80 mm
D	100 mm
B	10 mm
C	10 mm
r min.	0,6 mm
da min.	84 mm
da max	84 mm
Da max.	96 mm
ra max.	0,6 mm
Weight	0,15 Kg
Basic dynamic load rating (C)	12,7 kN
Basic static load rating (C0)	13,3 kN
(Grease) Lubrication Speed	5500 r/min