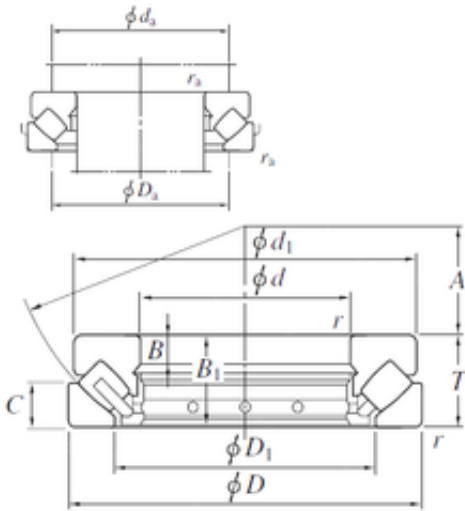




BEARING DRIVESHAFT, INC.

400 mm x 620 mm x 44 mm KOYO 29380R
thrust roller bearings

Bearing No. 29380R



29380R Bearing 2D drawings and 3D CAD models

Size	400x620x132 mm
Bore Diameter	400 mm
Outer Diameter	620 mm
Width	132 mm
d	400 mm
D	620 mm
T	132 mm
d1	596 mm
r min.	6 mm
A	225 mm
B	44 mm
B1	127 mm
C	64 mm
D1	494 mm
da min.	500 mm
Da max.	550 mm
ra max.	5 mm
Weight	144 Kg
Basic dynamic load rating (C)	3700 kN
Bearing No.	29380R
r(min)	6
Ca	4630
Coa	16100
Oil lub.	500
da(min)	500



BEARING DRIVESHAFT, INC.

Da(max)	550
ra(max)	5
(Refer.) Mass(kg)	144