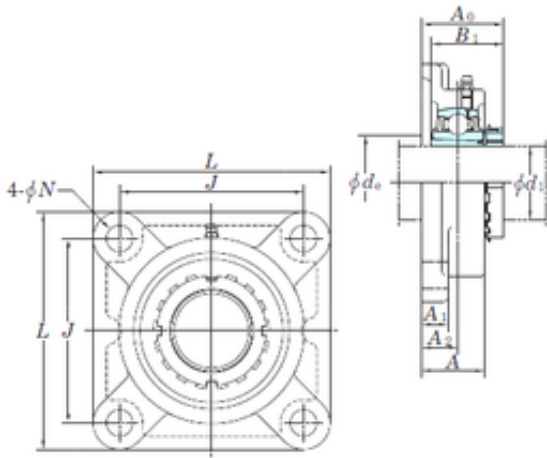




BEARING DRIVESHAFT, INC.

KOYO UKFX13 bearing units

Bearing No. UKFX13



UKFX13 Bearing 2D drawings and 3D CAD models

Bore Diameter	60,325 mm
d	60,325 mm
A0	68 mm
d3	74 mm
A	59 mm
A1	21 mm
B1	65 mm
J	149 mm
L	187 mm
N	19 mm
Thread (G)	M16
A2	34 mm
Weight	6 Kg
Basic dynamic load rating (C)	62,2 kN
Basic static load rating (C0)	44,1 kN