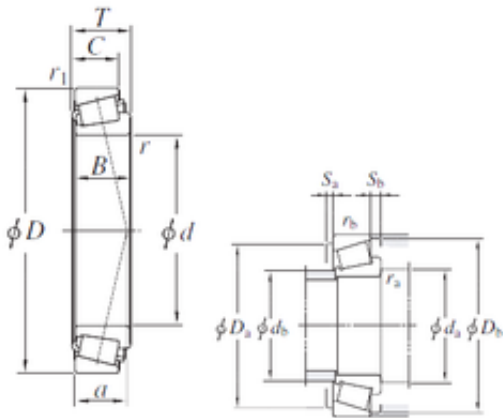




BEARING DRIVESHAFT, INC.

100,012 mm x 157,162 mm x 36,116 mm KOYO
52393/52618 tapered roller bearings

Bearing No. 52393/52618



52393/52618 Bearing 2D drawings and 3D CAD models

Size	100.012x157.162x36.512 mm
Bore Diameter	100,012 mm
Outer Diameter	157,162 mm
Width	36,512 mm
d	100,012 mm
D	157,162 mm
T	36,512 mm
B	36,116 mm
C	26,195 mm
a	36 mm
r min.	3,6 mm
r1 min.	3,2 mm
r2 min.	3,2 mm
da min.	113 mm
Da min	142 mm
Da max.	145 mm
Da	109 mm
db max.	115 mm
db min	116 mm
ra max.	3,6 mm
rb max.	3,2 mm
Db	150 mm
Weight	2,43 Kg
Basic dynamic load rating (C)	180 kN



BEARING DRIVESHAFT, INC.

Basic static load rating (C0)	288 kN
(Grease) Lubrication Speed	2300 r/min
(Oil) Lubrication Speed	3000 r/min
Calculation factor (e)	0,47
Calculation factor (Y0)	0,69