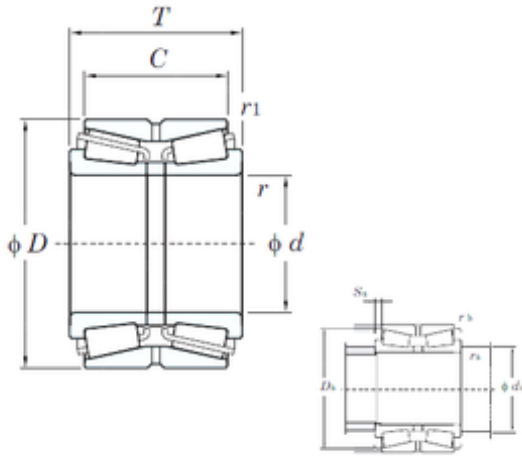




BEARING DRIVESHAFT, INC.



KOYO 46T30324JR/101 tapered roller bearings

Bearing No. 46T30324JR/101

46T30324JR/101 Bearing 2D drawings and 3D CAD models

Size	120x260x128 mm
Bore Diameter	120 mm
Outer Diameter	260 mm
Width	128 mm
d	120 mm
D	260 mm
T	128 mm
C	101 mm
r min.	3 mm
r1 min.	1 mm
da min.	138 mm
Da min	239 mm
ra max.	3 mm
rb max.	1 mm
Weight	30,6 Kg
Basic dynamic load rating (C)	976 kN
Basic static load rating (C0)	1430 kN
(Grease) Lubrication Speed	1200 r/min
(Oil) Lubrication Speed	1600 r/min
Calculation factor (e)	0,35
Calculation factor (Y0)	1,91
Bearing No.	46T30324JR/101
r(min)	3
r1(min)	1
Cr	1220
C0r	1430



BEARING DRIVESHAFT, INC.

Cu	89.9
Grease lub.	1200
Oil lub.	1600
da(min)	138
Da(min)	254
Sa(min)	13.5
ra(max)	3
rb(max)	1
e	0.35
Y2	1.96
Y3	2.91
Y0	1.91
(Refer.) Mass(kg)	30.6