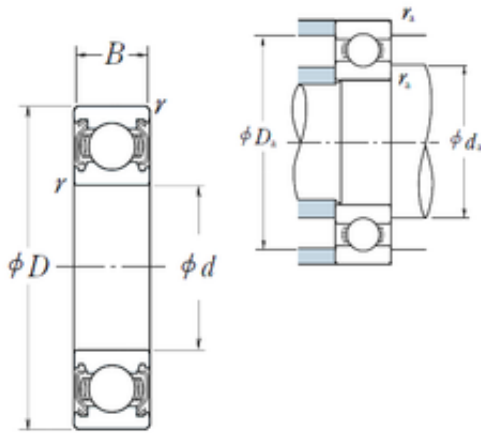




BEARING DRIVESHAFT, INC.



10 mm x 19 mm x 5 mm NSK 6800ZZ deep groove ball bearings

Bearing No. 6800ZZ

6800ZZ Bearing 2D drawings and 3D CAD models

Size	10x19x5 mm
Bore Diameter	10 mm
Outer Diameter	19 mm
Width	5 mm
d	10 mm
D	19 mm
B	5 mm
C	5 mm
r min.	0,3 mm
da min.	12 mm
da max	12 mm
Da max.	17 mm
ra max.	0,3 mm
Weight	0,005 Kg
Basic dynamic load rating (C)	1,72 kN
Basic static load rating (C0)	0,84 kN
(Grease) Lubrication Speed	34 000 r/min
Category	Single Row Ball Bearings
Inventory	0.0
Manufacturer Name	NSK
Minimum Buy Quantity	N/A
Weight / Kilogram	0.005
EAN	0029176029707
Product Group	B00308
Enclosure	2 Metal Shields



BEARING DRIVESHAFT, INC.

Precision Class	ABEC 1 ISO P0
Maximum Capacity / Filling Slot	No
Rolling Element	Ball Bearing
Snap Ring	No
Internal Special Features	No
Cage Material	Steel
Internal Clearance	C0-Medium
Inch - Metric	Metric
Long Description	10MM Bore; 19MM Outside Diameter; 5MM Outer Race Diameter; 2 Metal Shields; Ball Bearing; ABEC 1 ISO P0; No Filling Slot; No Snap Ring; No Internal Special Features
Category	Single Row Ball Bearing
UNSPSC	31171504
Harmonized Tariff Code	8482.10.50.68
Noun	Bearing
Keyword String	Ball
Manufacturer URL	http://www.nskamericas.com
Manufacturer Item Number	6800ZZ
Weight / LBS	0.005
Bore	0.394 Inch 10 Millimeter
Outer Race Width	0.197 Inch 5 Millimeter
Outside Diameter	0.748 Inch 19 Millimeter
bore diameter:	10 mm
static load capacity:	189 lb, 840 N
outside diameter:	19 mm
precision rating:	ABEC 1 (ISO Class Normal)
overall width:	5 mm
finish/coating:	Uncoated



BEARING DRIVESHAFT, INC.

bore type:	Round
cage material:	Steel
closure type:	Double Shielded
outer ring width:	5 mm
row type & fill slot:	Single Row Non-Fill Slot
fillet radius:	0.3 mm
internal clearance:	C0
maximum rpm:	40000 RPM
operating temperature range:	-10 to +110 ° C
series:	68
dynamic load capacity:	1720 N
SRI	1.23
hidYobi	6800ZZ
LangID	1
D_	19
SREX	0.01
B_	5
da min	12
hidTable	ecat_NSRDGB
SRE	1.23
mass	0.005
GRS rpm	34000
ra	0.3
SRIX	0.01
D_a	17
SRIN	-0.01
C0	0.84
fo	14.8
SREN	-0.01
DE_	16.881
Prod_Type3	DGBB_SR_ZZ
DA_	2.381



BEARING DRIVESHAFT, INC.

bomp	0
Z_	10
yobi	6800ZZ
C_conv	1720
ALPHA_	0
SDM_	14.5
r	0.3
KBRG	6141
SBRG	18
DI_	12.119