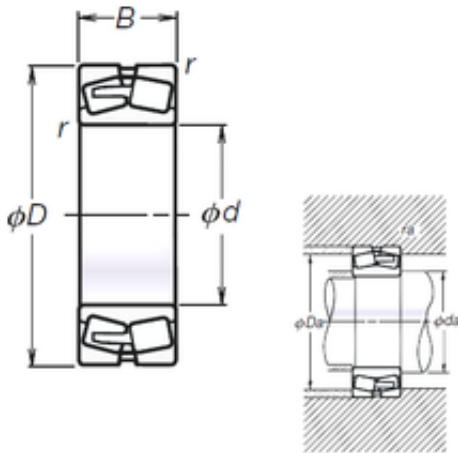




BEARING DRIVESHAFT, INC.

70 mm x 125 mm x 31 mm NSK 22214L11CAM
spherical roller bearings



Bearing No. 22214L11CAM

Size	70x125x31 mm
Bore Diameter	70 mm
Outer Diameter	125 mm
Width	31 mm
d	70 mm
D	125 mm
B	31 mm
C	31 mm
r min.	1,5 mm
Basic dynamic load rating (C)	163 kN

22214L11CAM Bearing 2D drawings and 3D CAD models