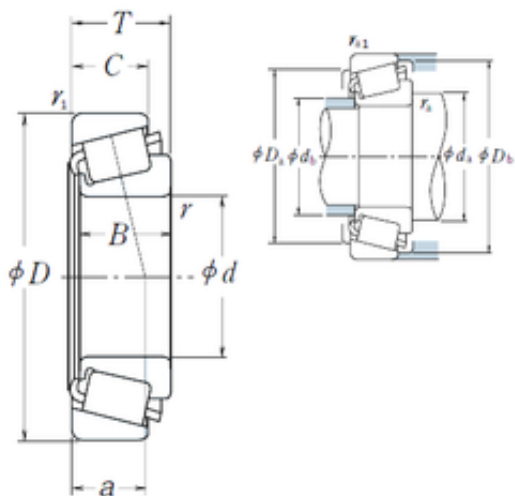




BEARING DRIVESHAFT, INC.

57,15 mm x 144,983 mm x 33,236 mm NSK
78225/78571 tapered roller bearings

Bearing No. 78225/78571



78225/78571 Bearing 2D drawings and 3D CAD models

Size	57.15x144.983x36 mm
Bore Diameter	57,15 mm
Outer Diameter	144,983 mm
Width	36 mm
d	57,15 mm
D	144,983 mm
T	36 mm
B	33,236 mm
C	23,007 mm
ra1 max.	3,5 mm
a	43,6 mm
r min.	3,5 mm
r1 min.	3,5 mm
Da	118 mm
db	77 mm
ra max.	3,5 mm
da	83 mm
Db	132 mm
Weight	2,76 Kg
Basic dynamic load rating (C)	152 kN
Basic static load rating (C0)	183 kN
(Grease) Lubrication Speed	2600 r/min
(Oil) Lubrication Speed	3600 r/min
Calculation factor (e)	0,87
Calculation factor (Y0)	0,38



BEARING DRIVESHAFT, INC.

LangID	1
ALP23	0
outer r	3.5
ALP22	0
D_	144.983
ALP21	60
SHOG_yobi	78225R/78571R
RAr	125.485
inner r	3.5
GRS rpm	2600
D_b	132
D_a	118
DE_	115.06
SLR	23
Prod_Type3	TRBSR_ID_A
BETA_	4
ALPHA_	30
SDM_	99.339
DA1	18.23
DA2	14.932
hidYobi	78225/78571
Y1	0.69
B_	33.236
Oil rpm	3600
hidTable	ecat_NSTPRI
Y0	0.38
inner ra	3.5
outer rb	3.5
C0	183
CUP	1.08
e	0.87
DA_	16.608



BEARING DRIVESHAFT, INC.

BET21	8
BET22	20
BET23	0
Z_	16
C_	23.007
yobi	78225/78571
KBRG	3161
CONE	1.68
DI_	84.063