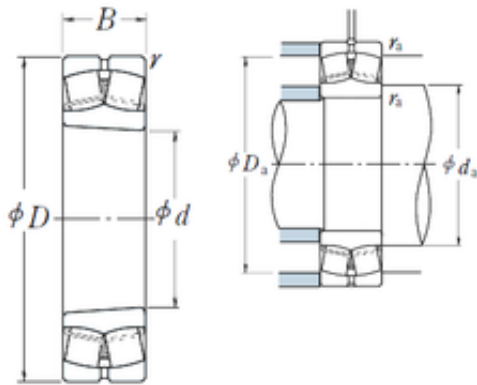




# BEARING DRIVESHAFT, INC.



Tapered Bore

95 mm x 200 mm x 67 mm NSK 22319EAKE4 spherical roller bearings

Bearing No. 22319EAKE4

22319EAKE4 Bearing 2D drawings and 3D CAD models

Size	95x200x67 mm
Bore Diameter	95 mm
Outer Diameter	200 mm
Width	67 mm
d	95 mm
D	200 mm
B	67 mm
C	67 mm
r min.	3 mm
da min.	109 mm
da max	121 mm
Da min	172 mm
Da max.	186 mm
ra max.	2,5 mm
Weight	9,91 Kg
Basic dynamic load rating (C)	590 kN
Basic static load rating (C0)	780 kN
(Grease) Lubrication Speed	2000 r/min
(Oil) Lubrication Speed	2600 r/min
Calculation factor (e)	0,33
Calculation factor (Y0)	2
Calculation factor (Y2)	3,1
Category	Spherical Roller Bearings
Inventory	0.0
Manufacturer Name	NSK



## BEARING DRIVESHAFT, INC.

Minimum Buy Quantity	N/A
Weight / Kilogram	9.8
EAN	0029176416255
Product Group	B04311
Internal Clearance	C0-Medium
Mounting Method	Adapter Mount
Rolling Element	Spherical Roller Bearing
Bore Profile	Tapered
Cage Material	Steel
Enclosure	Open
Number of Rows of Rollers	Double Row
Relubricatable	Yes
Withdrawal Sleeve	AHX2319 (Specify bore)
Inch - Metric	Metric
Long Description	95MM Tapered Bore; 200MM Outside Diameter; 67MM Width; C0-Medium Clearance; Adapter Mount; Double Row of Spherical Roller Bearings; Steel Cage Material; Open Enclosure; Relubricatable; Adapter Part Nu
Other Features	Order adapter or withdrawal sleeve or nut separately. Others may be available
Category	Spherical Roller Bearing
UNSPSC	31171510
Harmonized Tariff Code	84823080
Noun	Bearing
Keyword String	Spherical
Manufacturer URL	<a href="http://www.nskamericas.com">http://www.nskamericas.com</a>
Manufacturer Item Number	22319EAKE4
Weight / LBS	0



## BEARING DRIVESHAFT, INC.

Bore	3.74 Inch   95 Millimeter
Width	2.638 Inch   67 Millimeter
Adapter Part Number	SNW119 H2319 HE2319 (Specify Bore) Inch   H2319 (Specify bore) Millimeter
Outside Diameter	7.874 Inch   200 Millimeter
bore diameter:	95 mm
maximum rpm:	2800 RPM
outside diameter:	200 mm
operating temperature range:	Maximum of +200 ° C
overall width:	67 mm
cage material:	Steel
bore type:	Tapered 1:12
bearing material:	Steel
outer ring type:	Not Split
cage type:	Roller Guided
internal clearance:	C0
precision rating:	RBEC 1 (ISO Class Normal)
closure type:	Open
finish/coating:	Uncoated
lubrication hole type:	Lubrication Groove & Hole
outer ring width:	67 mm
dynamic load capacity:	735000 N
fillet radius:	3 mm
static load capacity:	780000 N
series:	223
Y3	2.1
hidYobi	22319EAKE4
LangID	1
Y1	2
D_	200



## BEARING DRIVESHAFT, INC.

Y2	3.1
Macha rpm	3000
B_	67
da min	109
hidTable	ecat_NSSPHR
Oil rpm	2800
Y0	2
mass	9.91
GRS rpm	2200
ra	2.5
TSR rpm	2600
C0	780
DE_	179.006
X0	1
Prod_Type3	SRB_CTB_TB
X1	1
X2	0.67
SIR	27.2
e	0.33
DA_	27.21
bomp	22319EAKE4
Z_	16
ALP2	17
ALP1	12
ALP3	0
D_a max	186
D_a min	172
yobi	22319EAKE4
HPS	HPS
ALPHA_	0.214
SDM_	152.419
r	3



## BEARING DRIVESHAFT, INC.

KBRG	2328
SBRG	23
DI_	125.832