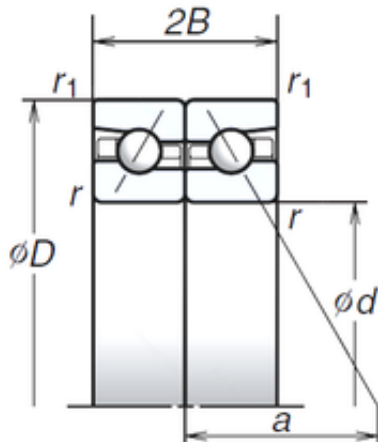




BEARING DRIVESHAFT, INC.

160 mm x 240 mm x 36 mm NSK 160BTR10S
angular contact ball bearings



Bearing No. 160BTR10S

Size	160x240x36 mm
Bore Diameter	160 mm
Outer Diameter	240 mm
Width	36 mm
d	160 mm
D	240 mm
B	36 mm
C	36 mm
Angle (°)	30 °
a	101,9 mm
r min.	2,1 mm
r1 min.	1,1 mm
2B	72 mm
Weight	5,64 Kg
Basic dynamic load rating (C)	117 kN
Basic static load rating (C0)	284 kN
(Grease) Lubrication Speed	3 300 r/min
(Oil) Lubrication Speed	4 300 r/min

160BTR10S Bearing 2D drawings and 3D CAD models