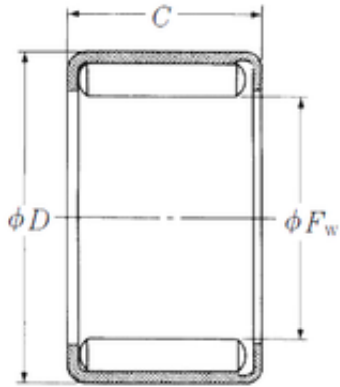




BEARING DRIVESHAFT, INC.

NSK Y-2020 needle roller bearings



Bearing No. Y-2020

Size	31.75x38.1x31.75 mm
Bore Diameter	31,75 mm
Outer Diameter	38,1 mm
Width	31,75 mm
Fw	31,75 mm
D	38,1 mm
C	31,75 mm
Weight	0,072 Kg
Basic dynamic load rating (C)	45,5 kN

Y-2020 Bearing 2D drawings and 3D CAD models