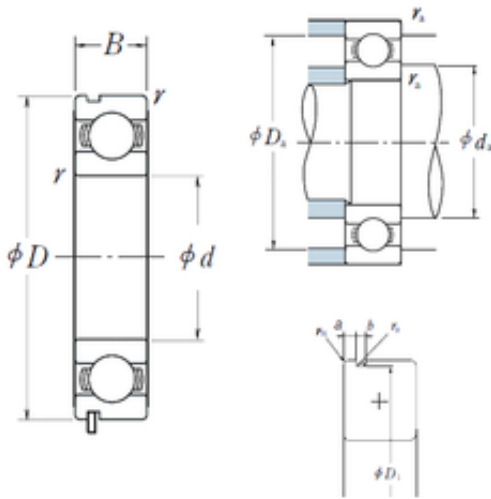




## BEARING DRIVESHAFT, INC.

85 mm x 120 mm x 18 mm NSK 6917N deep groove ball bearings

Bearing No. 6917N



6917N Bearing 2D drawings and 3D CAD models

Size	85x120x18 mm
Bore Diameter	85 mm
Outer Diameter	120 mm
Width	18 mm
d	85 mm
D	120 mm
B	18 mm
C	18 mm
rn	0,5 mm
a	3,3 mm
b	1,3 mm
r min.	1,1 mm
r0 max.	0,4 mm
D1	117,6 mm
da min.	91,5 mm
da max	94,5 mm
Da max.	113,5 mm
ra max.	1 mm
Weight	0,55 Kg
Basic dynamic load rating (C)	32 kN
Basic static load rating (C0)	29,6 kN
(Grease) Lubrication Speed	5 300 r/min
(Oil) Lubrication Speed	6 300 r/min
SRI	5.34
hidYobi	6917N



## BEARING DRIVESHAFT, INC.

LangID	1
ro	0.4
D_	120
SREX	0.025
B_	18
da min	91.5
hidTable	ecat_NSRDGB
Oil rpm	6300
SRE	5.34
mass	0.55
GRS rpm	5300
ra	1
SRIX	0.025
D_a	113.5
SRIN	-0.025
C0	29.6
fo	16.4
SREN	-0.025
DE_	112.819
Prod_Type3	DGBB_SR_N_OT
DA_	10.319
bomp	0
Z_	17
yobi	6917N
C_conv	32000
ALPHA_	0
SDM_	102.5
r	1.1
KBRG	6101
SBRG	19
DI_	92.181