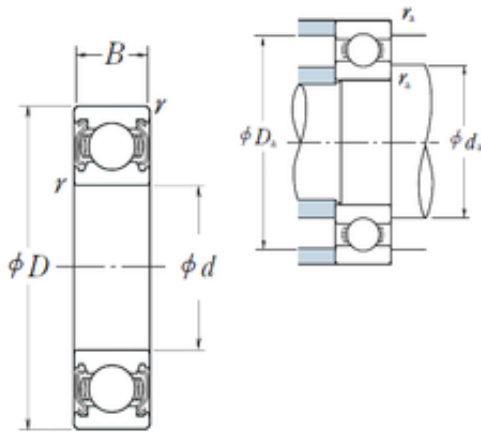




BEARING DRIVESHAFT, INC.



30 mm x 72 mm x 19 mm NSK 6306ZZ deep groove ball bearings

Bearing No. 6306ZZ

6306ZZ Bearing 2D drawings and 3D CAD models

Size	30x72x19 mm
Bore Diameter	30 mm
Outer Diameter	72 mm
Width	19 mm
d	30 mm
D	72 mm
B	19 mm
C	19 mm
r min.	1,1 mm
da min.	36,5 mm
da max	42,5 mm
Da max.	65,5 mm
ra max.	1 mm
Weight	0,345 Kg
Basic dynamic load rating (C)	26,7 kN
Basic static load rating (C0)	15 kN
(Grease) Lubrication Speed	9 500 r/min
Category	Single Row Ball Bearings
Inventory	0.0
Manufacturer Name	NSK
Minimum Buy Quantity	N/A
Weight / Kilogram	0.349
EAN	0029176016769
Product Group	B00308
Enclosure	2 Metal Shields



BEARING DRIVESHAFT, INC.

Precision Class	ABEC 1 ISO P0
Maximum Capacity / Filling Slot	No
Rolling Element	Ball Bearing
Snap Ring	No
Internal Special Features	No
Cage Material	Steel
Internal Clearance	C0-Medium
Inch - Metric	Metric
Long Description	30MM Bore; 72MM Outside Diameter; 19MM Outer Race Diameter; 2 Metal Shields; Ball Bearing; ABEC 1 ISO P0; No Filling Slot; No Snap Ring; No Internal Special Features
Category	Single Row Ball Bearing
UNSPSC	31171504
Harmonized Tariff Code	8482.10.50.68
Noun	Bearing
Keyword String	Ball
Manufacturer URL	http://www.nskamericas.com
Manufacturer Item Number	6306ZZ
Weight / LBS	0.342
Outer Race Width	0.748 Inch 19 Millimeter
Outside Diameter	2.835 Inch 72 Millimeter
Bore	1.181 Inch 30 Millimeter
bore diameter:	30 mm
snap ring included:	Without Snap Ring
outside diameter:	72 mm
internal clearance:	C0
overall width:	19 mm
dynamic load capacity:	26700 N
bore type:	Round



BEARING DRIVESHAFT, INC.

precision rating:	ABEC1, P0
closure type:	Double Shielded
finish/coating:	Uncoated
row type & fill slot:	Single Row Non-Fill Slot
cage material:	Steel Cage
SRI	6.01
hidYobi	6306ZZ
LangID	1
D_	72
SREX	0.05
B_	19
da min	36.5
hidTable	ecat_NSRDGB
SRE	6.25
mass	0.345
GRS rpm	9500
ra	1
SRIX	0.025
D_a	65.5
SRIN	0
C0	15
fo	13.3
SREN	0
DE_	63.906
Prod_Type3	DGBB_SR_ZZ
DA_	11.906
bomp	0
Z_	8
yobi	6306ZZ
C_conv	26700
ALPHA_	0
SDM_	52



BEARING DRIVESHAFT, INC.

r	1.1
KBRG	6141
SBRG	3
DI_	40.094