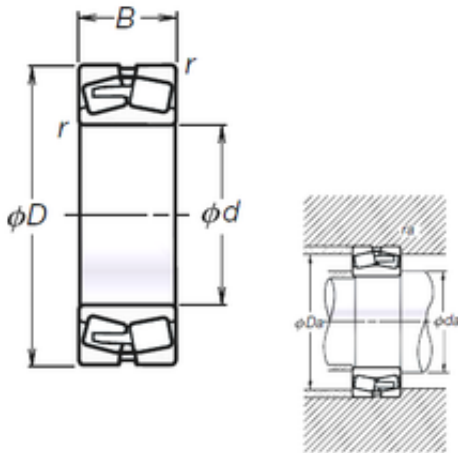




# BEARING DRIVESHAFT, INC.

50 mm x 90 mm x 23 mm NSK 22210L11CAM  
spherical roller bearings



Bearing No. 22210L11CAM

Size	50x90x23 mm
Bore Diameter	50 mm
Outer Diameter	90 mm
Width	23 mm
d	50 mm
D	90 mm
B	23 mm
C	23 mm
r min.	1,1 mm
Basic dynamic load rating (C)	82 kN

22210L11CAM Bearing 2D drawings and 3D CAD models