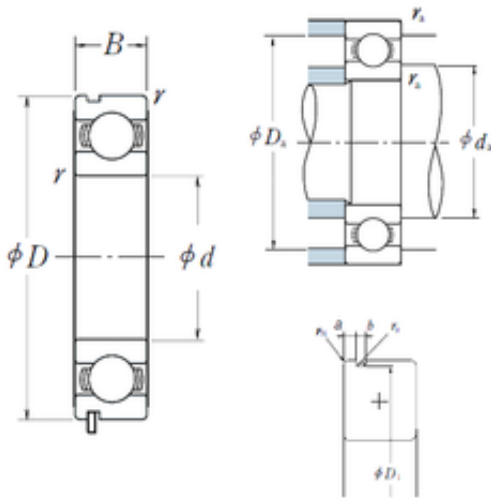




BEARING DRIVESHAFT, INC.

75 mm x 105 mm x 16 mm NSK 6915N deep groove ball bearings

Bearing No. 6915N



6915N Bearing 2D drawings and 3D CAD models

Size	75x105x16 mm
Bore Diameter	75 mm
Outer Diameter	105 mm
Width	16 mm
d	75 mm
D	105 mm
B	16 mm
C	16 mm
rn	0,5 mm
a	2,5 mm
b	1,3 mm
r min.	1 mm
r0 max.	0,4 mm
D1	102,6 mm
da min.	80 mm
da max	82 mm
Da max.	100 mm
ra max.	1 mm
Weight	0,364 Kg
Basic dynamic load rating (C)	24,4 kN
Basic static load rating (C0)	22,6 kN
(Grease) Lubrication Speed	6 000 r/min
(Oil) Lubrication Speed	7 100 r/min
SRI	4.52
hidYobi	6915N



BEARING DRIVESHAFT, INC.

LangID	1
ro	0.4
D_	105
SREX	0.02
B_	16
da min	80
hidTable	ecat_NSRDGB
Oil rpm	7100
SRE	4.52
mass	0.364
GRS rpm	6000
ra	1
SRIX	0.02
D_a	100
SRIN	-0.02
C0	22.6
fo	16.5
SREN	0
DE_	98.731
Prod_Type3	DGBB_SR_N_OT
DA_	8.731
bomp	0
Z_	18
yobi	6915N
C_conv	24400
ALPHA_	0
SDM_	90
r	1
KBRG	6101
SBRG	19
DI_	81.269