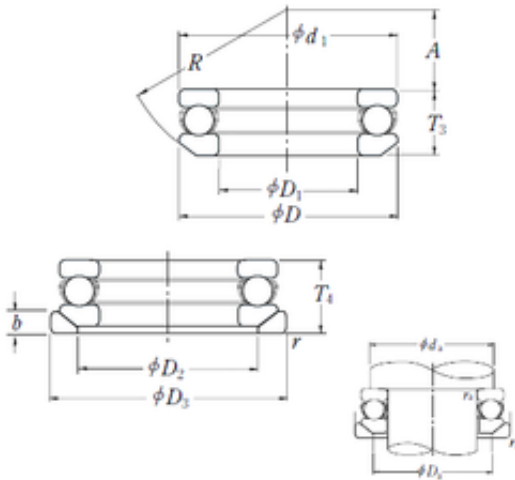




# BEARING DRIVESHAFT, INC.

## NSK 53311U thrust ball bearings

Bearing No. 53311U



53311U Bearing 2D drawings and 3D CAD models

Size	55x105x42 mm
Bore Diameter	55 mm
Outer Diameter	105 mm
Width	42 mm
d	55 mm
D	105 mm
T	42 mm
b	11,5 mm
d1	105 mm
r min.	1,1 mm
A	30 mm
D1	57 mm
D2	80 mm
D3	110 mm
R	80 mm
da min.	85 mm
Da max.	75 mm
ra max.	1 mm
Weight	1,78 Kg
Basic dynamic load rating (C)	115 kN
Basic static load rating (C0)	244 kN
(Grease) Lubrication Speed	1600 r/min
SRI	9.4
hidYobi	53311U
LangID	1
D_	105



## BEARING DRIVESHAFT, INC.

SREX	0.065
C	115
B_	42
hidTable	ecat_NSSDTB
Oil rpm	2400
SRE	9.4
mass	1.78
GRS rpm	1600
ra	1
SRIX	0.065
T4	42
D_3	110
D_a	75
SRIN	0
C0	244
D_2	80
SREN	0
D_1	57
Prod_Type3	TB_SD_WASW
da	85
DA_	17.462
Z_	13
yobi	53311U
A_	30
T3	39.3
SDM_	80
r	1.1
KBRG	5131
R_	80