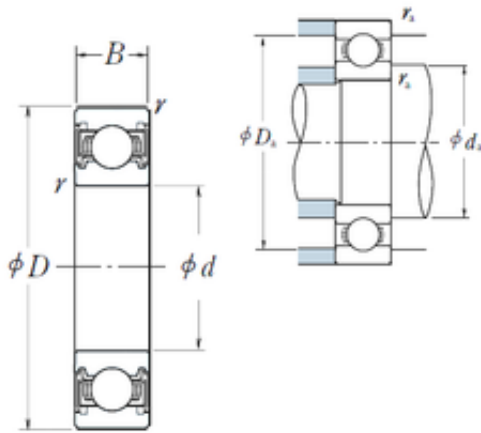




# BEARING DRIVESHAFT, INC.



55 mm x 120 mm x 29 mm NSK 6311VV deep groove ball bearings

Bearing No. 6311VV

6311VV Bearing 2D drawings and 3D CAD models

Size	55x120x29 mm
Bore Diameter	55 mm
Outer Diameter	120 mm
Width	29 mm
d	55 mm
D	120 mm
B	29 mm
C	29 mm
r min.	2 mm
da min.	64 mm
da max	72,5 mm
Da max.	111 mm
ra max.	2 mm
Weight	1,37 Kg
Basic dynamic load rating (C)	71,5 kN
Basic static load rating (C0)	44,5 kN
(Grease) Lubrication Speed	5 600 r/min
Category	Single Row Ball Bearings
Inventory	0.0
Manufacturer Name	NSK
Minimum Buy Quantity	N/A
Weight / Kilogram	1.37
EAN	0029176017179
Product Group	B00308
Enclosure	2 Seals



## BEARING DRIVESHAFT, INC.

Precision Class	ABEC 1   ISO P0
Maximum Capacity / Filling Slot	No
Rolling Element	Ball Bearing
Snap Ring	No
Internal Special Features	No
Cage Material	Steel
Enclosure Type	Non-Contact Seal
Internal Clearance	C0-Medium
Inch - Metric	Metric
Long Description	55MM Bore; 120MM Outside Diameter; 29MM Outer Race Diameter; 2 Seals; Ball Bearing; ABEC 1   ISO P0; No Filling Slot; No Snap Ring; No Internal Special Features
Category	Single Row Ball Bearing
UNSPSC	31171504
Harmonized Tariff Code	8482.10.50.68
Noun	Bearing
Keyword String	Ball
Manufacturer URL	<a href="http://www.nskamericas.com">http://www.nskamericas.com</a>
Manufacturer Item Number	6311VV
Weight / LBS	1.37
Outside Diameter	4.724 Inch   120 Millimeter
Bore	2.165 Inch   55 Millimeter
Outer Race Width	1.142 Inch   29 Millimeter
SRI	10.68
hidYobi	6311VV
LangID	1
D_	120
SREX	0.04
B_	29



## BEARING DRIVESHAFT, INC.

da min	64
hidTable	ecat_NSRDGB
SRE	10.68
mass	1.37
GRS rpm	5600
ra	2
SRIX	0.04
D_a	111
SRIN	-0.04
C0	44.5
fo	13.1
SREN	-0.04
DE_	108.138
Prod_Type3	DGBB_SR_VV
DA_	20.638
bomp	0
Z_	8
yobi	6311VV
C_conv	71500
ALPHA_	0
SDM_	87.5
r	2
KBRG	6151
SBRG	3
DI_	66.862