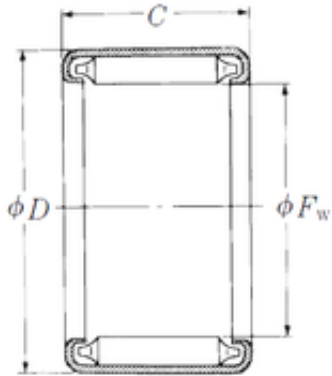




# BEARING DRIVESHAFT, INC.

## NSK B-68 needle roller bearings

Bearing No. B-68



Size	9.525x14.288x12.7 mm
Bore Diameter	9,525 mm
Outer Diameter	14,288 mm
Width	12,7 mm
Fw	9,525 mm
D	14,288 mm
C	12,7 mm
Weight	0,0068 Kg
Basic dynamic load rating (C)	7,85 kN

B-68 Bearing 2D drawings and 3D CAD models