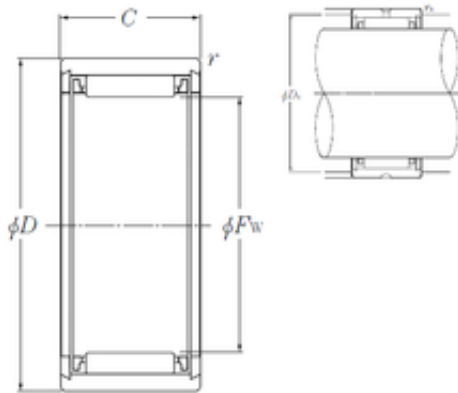




# BEARING DRIVESHAFT, INC.

## NTN NK8/12T2 needle roller bearings



Bearing No. NK8/12T2

NK8/12T2 Bearing 2D drawings and 3D CAD models

Size	8x15x12 mm
Bore Diameter	8 mm
Outer Diameter	15 mm
Width	12 mm
Fw	8 mm
D	15 mm
C	12 mm
r min.	0,3 mm
Da max.	9,5 mm
ra max.	0,3 mm
Weight	0,0087 Kg
Basic dynamic load rating (C)	4 kN
Basic static load rating (C0)	4,1 kN
(Grease) Lubrication Speed	21000 r/min
rs min	0.3 mm
Dw	1.5 mm
Lw	7.8 mm
Lubrication hole on outer ring	Oui/Yes
k	2 mm
Radial clearance class	CN
Precision class	P0
Mass	0.0087 kg
Cr	4 kN
C0r	4.1 kN
Nlim (grease)	21,000 rpm



## BEARING DRIVESHAFT, INC.

Nlim (oil)	32,000 rpm
Min operating temperature, Tmin	-20 ° C
Max operating temperature, Tmax	120 ° C
Characteristic cage frequency, FTF	0.42 Hz
Characteristic rolling element frequency, BSF	6.18 Hz
Characteristic outer ring frequency, BPF0	4.21 Hz
Characteristic inner ring frequency, BRF1	5.79 Hz
Da max	9.5 mm
ras max	0.3 mm
Category	Bearings
Inventory	0.0
Manufacturer Name	NTN
Minimum Buy Quantity	N/A
Weight / Kilogram	0.014
Product Group	B04144