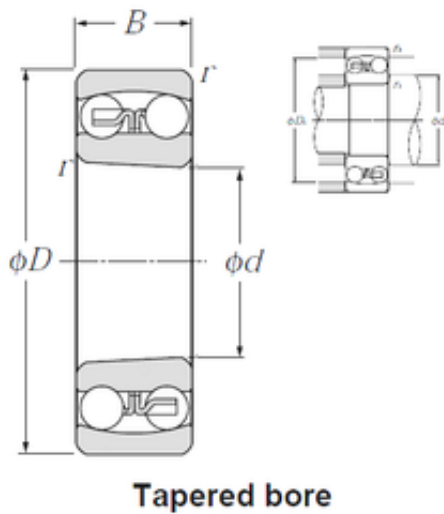




BEARING DRIVESHAFT, INC.



55 mm x 120 mm x 29 mm NTN 1311SK self aligning ball bearings

Bearing No. 1311SK

1311SK Bearing 2D drawings and 3D CAD models

| | |
|-------------------------------|--------------|
| Size | 55x120x29 mm |
| Bore Diameter | 55 mm |
| Outer Diameter | 120 mm |
| Width | 29 mm |
| d | 55 mm |
| D | 120 mm |
| B | 29 mm |
| C | 29 mm |
| r min. | 2 mm |
| da min. | 64 mm |
| Da max. | 111 mm |
| ra max. | 2 mm |
| Weight | 1,6 Kg |
| Basic dynamic load rating (C) | 51,5 kN |
| Basic static load rating (C0) | 17,9 kN |
| (Grease) Lubrication Speed | 5 000 r/min |
| (Oil) Lubrication Speed | 6 300 r/min |
| Calculation factor (e) | 0,23 |
| Calculation factor (Y0) | 2,8 |
| Calculation factor (Y1) | 2,7 |
| rs min | 2 mm |
| Associated sleeve reference | H311X |
| e | 0.23 |
| Y1 | 2.7 |
| Y2 | 4.2 |



BEARING DRIVESHAFT, INC.

| | |
|------------------------------------|-----------|
| Y0 | 2.8 |
| Radial clearance class | CN |
| Precision class | P0 |
| Mass | 1.6 kg |
| Dynamic load, C | 51.5 kN |
| Static load, C0 | 17.9 kN |
| Nlim (oil) | 6,300 rpm |
| Nlim (grease) | 5,000 rpm |
| Min operating temperature, Tmin | -20 ° C |
| Max operating temperature, Tmax | 120 ° C |
| da min | 64 mm |
| da max | 73 mm |
| db min | 60 mm |
| Ce min | 6 mm |
| Da max | 111 mm |
| ra max | 2 mm |