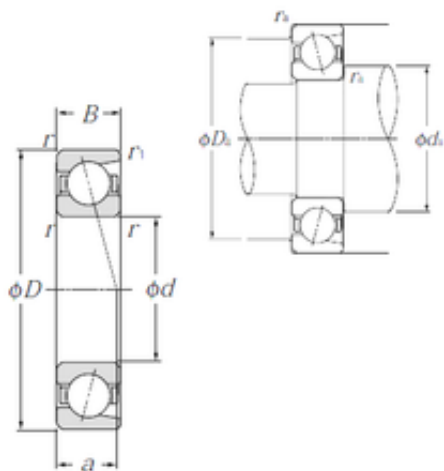




## BEARING DRIVESHAFT, INC.

100 mm x 180 mm x 34 mm NTN 7220B  
angular contact ball bearings



Bearing No. 7220B

Size	100x180x34 mm
Bore Diameter	100 mm
Outer Diameter	180 mm
Width	34 mm
d	100 mm
D	180 mm
B	34 mm
C	34 mm
Angle ( ° )	40 °
a	76 mm
r min.	2,1 mm
r1 min.	1,1 mm
da min.	112 mm
db min	107 mm
ra max.	2 mm
Weight	3,26 Kg
Basic dynamic load rating (C)	130 kN
Basic static load rating (C0)	114 kN
(Grease) Lubrication Speed	3 400 r/min
Contact angle	40 °
rs min	2.1 mm
r1s min	1.1 mm
Mass	3.26 kg
Dynamic load, C	130 kN
Static load, C0	114 kN

7220B Bearing 2D drawings and 3D CAD models



## BEARING DRIVESHAFT, INC.

Fatigue limit load, Cu	4.4 kN
Nlim (oil)	4,500 rpm
Nlim (grease)	3,400 rpm
Min operating temperature, Tmin	-40 ° C
Max operating temperature, Tmax	120 ° C
da min	112 mm
Da max	168 mm
Db max	173 mm
r1a max	1 mm
ra max	2 mm
Category	Angular Contact Ball Bearings
Inventory	0.0
Manufacturer Name	NTN
Minimum Buy Quantity	N/A
Weight / Kilogram	0
Product Group	B00308
Enclosure	Open
Flush Ground	No
Rolling Element	Ball Bearing
Number of Rows of Balls	Single Row
Precision Class	ABEC 1   ISO P0
Maximum Capacity / Filling Slot	No
Snap Ring	No
Cage Material	Steel
Contact Angle	40 Degree
Internal Clearance	C0-Medium
Number of Bearings	1 (Single)
Inch - Metric	Metric
Long Description	100MM Bore; 180MM Outside Diameter; 34MM



## BEARING DRIVESHAFT, INC.

	Width; Open; No Flush Ground; Ball Bearing; Single Row of Balls; ABEC 1   ISO P0; No Filling Slot; No Snap Ring; C0-Medium; Steel Cage; 40 Degree; 1 (Single)
Category	Angular Contact Ball Bearing
UNSPSC	31171531
Harmonized Tariff Code	8482.10.50.28
Noun	Bearing
Keyword String	Angular Contact
Manufacturer URL	<a href="http://www.ntnamerica.com">http://www.ntnamerica.com</a>
Outside Diameter	7.087 Inch   180 Millimeter
Width	1.339 Inch   34 Millimeter
Bore	3.937 Inch   100 Millimeter
bore diameter:	100 mm
radial static load capacity:	114000 N
outside diameter:	180 mm
operating temperature range:	-40 to 120 ° C
overall width:	34 mm
cage material:	Steel
contact angle:	40 °
maximum rpm:	4500 rpm
row type & fill slot:	Single-Row Non-Fill Slot
finish/coating:	Uncoated
bore type:	Round
precision rating:	ISO Class 0
closure type:	Open
fillet radius:	2.1 mm
snap ring included:	Without Snap Ring
weight:	3.240 kg
bearing material:	High Carbon Chrome Steel



## BEARING DRIVESHAFT, INC.

manufacturer product page:	<a href="#">Click here</a>
radial dynamic load capacity:	130000 N