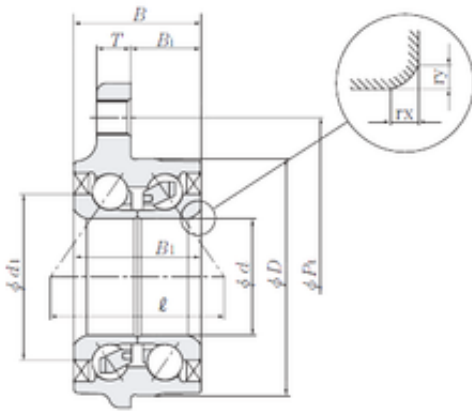




# BEARING DRIVESHAFT, INC.

43 mm x 83 mm x 47,5 mm NTN HUB100-7  
angular contact ball bearings

Bearing No. HUB100-7



HUB100-7 Bearing 2D drawings and 3D CAD models

Size	43x83x47.5 mm
Bore Diameter	43 mm
Outer Diameter	83 mm
Width	47,5 mm
d	43 mm
D	83 mm
B	47,5 mm
B1	49 mm
rx	5 mm
ry	3,5 mm
Pt	102 mm
Bi	21,5 mm
d1	59,4 mm
T	14 mm
	63,7 Tolerance h14
Weight	1,29 Kg
Basic dynamic load rating (C)	36,5 kN
Dynamic load rating radial (C)	28,8 kN
Category	Bearings
Inventory	0.0
Manufacturer Name	NTN
Minimum Buy Quantity	N/A
Weight / Kilogram	0
EAN	0692314626283



# BEARING DRIVESHAFT, INC.

Product Group	B00234
---------------	--------