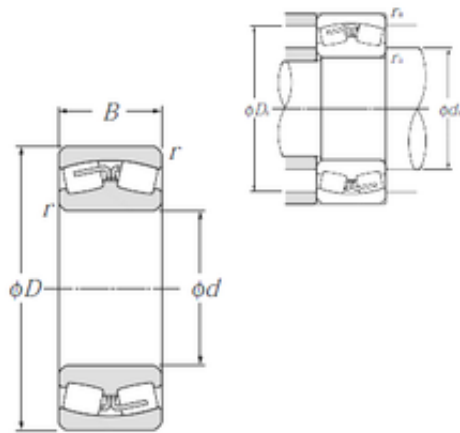




# BEARING DRIVESHAFT, INC.

60 mm x 130 mm x 46 mm NTN 22312B  
spherical roller bearings



Bearing No. 22312B

Size	60x130x46 mm
Bore Diameter	60 mm
Outer Diameter	130 mm
Width	46 mm
d	60 mm
D	130 mm
B	46 mm
C	46 mm
r min.	2,1 mm
da min.	72 mm
Da max.	118 mm
ra max.	2 mm
Weight	2,9 Kg
Basic dynamic load rating (C)	238 kN
Basic static load rating (C0)	273 kN
(Grease) Lubrication Speed	3 100 r/min
(Oil) Lubrication Speed	4 000 r/min
Calculation factor (e)	0,42
Calculation factor (Y0)	1,59
Calculation factor (Y1)	1,62

22312B Bearing 2D drawings and 3D CAD models