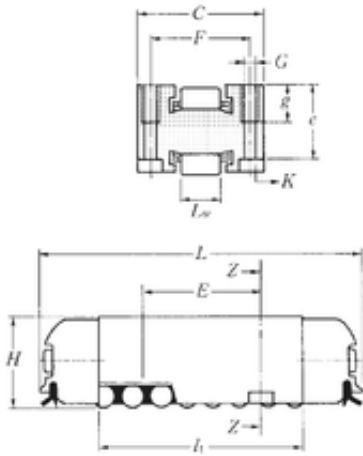




# BEARING DRIVESHAFT, INC.

## NTN RLM19 × 69 needle roller bearings

Bearing No. RLM19 × 69



RLM19 × 69 Bearing 2D drawings and 3D CAD models

Width	27 mm
e	15,5 mm
g	6 mm
C	27 mm
E	25,5 mm
F	20,6 mm
H	19 mm
K	3,2 mm
L	69 mm
Lw	10 mm
Thread (G)	M4
Lt	43,4 mm
Weight	0,16 Kg
Basic dynamic load rating (C)	26,1 kN