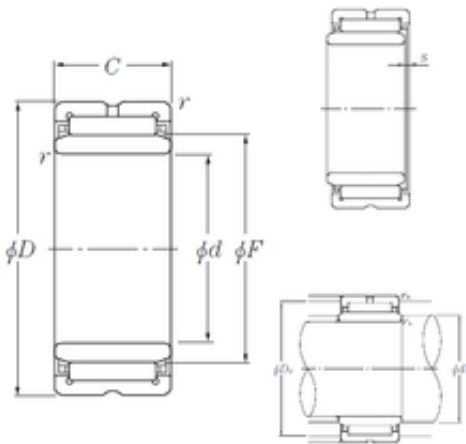




BEARING DRIVESHAFT, INC.



17 mm x 30 mm x 13 mm NTN NA4903R
needle roller bearings

Bearing No. NA4903R

NA4903R Bearing 2D drawings and 3D CAD models

Size	17x30x13 mm
Bore Diameter	17 mm
Outer Diameter	30 mm
Width	13 mm
d	17 mm
F	22 mm
D	30 mm
B	13 mm
C	13 mm
r min.	0,3 mm
s	0,5 mm
da min.	19 mm
Da max.	28 mm
ra max.	0,3 mm
Weight	0,037 Kg
Basic dynamic load rating (C)	11,2 kN
Basic static load rating (C0)	14,6 kN
(Grease) Lubrication Speed	12 000 r/min
rs min	0.3 mm
s max	0.5 mm
Dw	2.5 mm
Lw	9.8 mm
Lubrication hole on outer ring	Oui/Yes
k	2 mm



BEARING DRIVESHAFT, INC.

Lubrication hole on inner ring	Non/No
Radial clearance class	CN
Precision class	P0
Mass	0.04 kg
Cr	11.2 kN
C0r	14.6 kN
Nlim (grease)	12,000 rpm
Nlim (oil)	18,000 rpm
Min operating temperature, Tmin	-20 ° C
Max operating temperature, Tmax	120 ° C
Characteristic cage frequency, FTF	0.45 Hz
Characteristic rolling element frequency, BSF	9.7 Hz
Characteristic outer ring frequency, BPF0	8.08 Hz
Characteristic inner ring frequency, BPF1	9.92 Hz
da min	19 mm
Da max	28 mm
ras max	0.3 mm
Category	Roller Bearings
Inventory	0.0
Manufacturer Name	NTN
Minimum Buy Quantity	N/A
Weight / Kilogram	0.038
EAN	4547359113075
Product Group	B04144