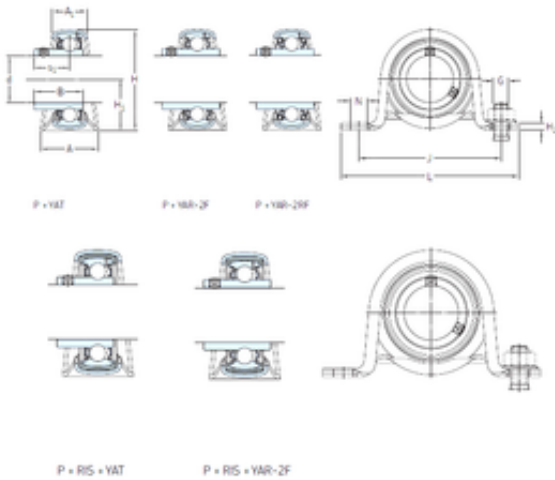




# BEARING DRIVESHAFT, INC.



## SKF P 20 TR bearing units

Bearing No. P 20 TR

|   |               |
|---|---------------|
| Bore Diameter                           | 20 mm         |
| d                                       | 20 mm         |
| s1                                      | 18,3 mm       |
| A                                       | 32 mm         |
| A1                                      | 21 mm         |
| B                                       | 31 mm         |
| H                                       | 50 mm         |
| H1                                      | 25,2 mm       |
| H2                                      | 3 mm          |
| J                                       | 76 mm         |
| L                                       | 99 mm         |
| N                                       | 9,6 mm        |
| Thread (G)                              | 8             |
| Weight                                  | 0,22 Kg       |
| Basic dynamic load rating (C)           | 12,7 kN       |
| Basic static load rating (C0)           | 6,55 kN       |
| Housing material                        | Pressed steel |
| A <sub>1</sub>                          | 21 mm         |
| B <sub>4</sub>                          | 4.5 mm        |
| H <sub>1</sub>                          | 25.3 mm       |
| H <sub>2</sub>                          | 3 mm          |
| s <sub>1</sub>                          | 18.3 mm       |
| Basic dynamic load rating C             | 12.7 kN       |
| Basic static load rating C <sub>0</sub> | 6.55 kN       |
| Fatigue load limit P <sub>u</sub>       | 0.28 kN       |
| Permissible radial housing              | 1.7 kN        |

P 20 TR Bearing 2D drawings and 3D CAD models



## BEARING DRIVESHAFT, INC.

|   |            |
|---|------------|
| load max.   |            |
| Limiting speed                                    | 5000 r/min |
| Mass bearing unit                                 | 0.23 kg    |
| Thread grub screw G <sub>2</sub>                  | M6x0.75    |
| Hexagonal key size for grub screw N               | 3 mm       |
| Recommended tightening torque for grub screw      | 4 N · m    |
| Recommended diameter for attachment bolts, mm G   | 8 mm       |
| Recommended diameter for attachment bolts, inch G | 0.3125 in  |