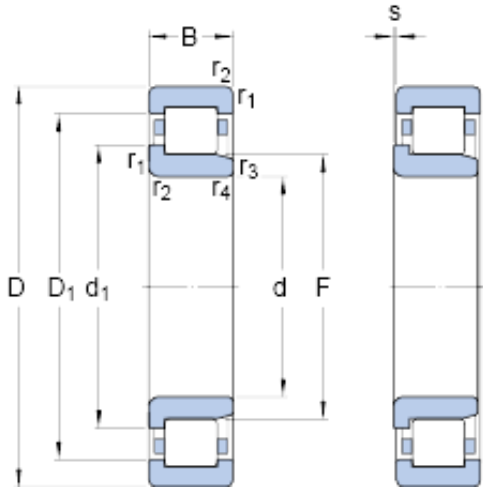




BEARING DRIVESHAFT, INC.



120 mm x 180 mm x 28 mm SKF NJ 1024 ML
thrust ball bearings

Bearing No. NJ 1024 ML

NJ 1024 ML Bearing 2D drawings and 3D CAD models

Size	180x120x28 mm
Bore Diameter	180 mm
Outer Diameter	120 mm
Width	28 mm
d	120 mm
D	180 mm
B	28 mm
d ₁	141 mm
D ₁	159.7 mm
F	135 mm
r _{1,2} - min.	2 mm
r _{3,4} - min.	1.1 mm
s	3.8 mm
d _a - min.	129 mm
d _a - max.	133 mm
d _b - min.	143 mm
D _a - max.	171 mm
r _a - max.	2 mm
Basic dynamic load rating - C	134 kN
Basic static load rating - C ₀	183 kN
Fatigue load limit - P _u	20.8 kN
Reference speed	4000 r/min
Limiting speed	6300 r/min
Calculation factor - k _r	0.15



BEARING DRIVESHAFT, INC.

d_1	141 mm
D_1	159.7 mm
$r_{1,2}$ min.	2 mm
$r_{3,4}$ min.	1.1 mm
s max.	3.8 mm
d_a min.	129 mm
d_a max.	133 mm
d_b min.	143 mm
D_a max.	171 mm
r_a max.	2 mm
Basic dynamic load rating C	134 kN
Basic static load rating C_0	183 kN
Fatigue load limit P_u	20.8 kN
Calculation factor k_r	0.15
Limiting value e	0.2
Axial load factor Y	0.6
Mass bearing	2.61 kg