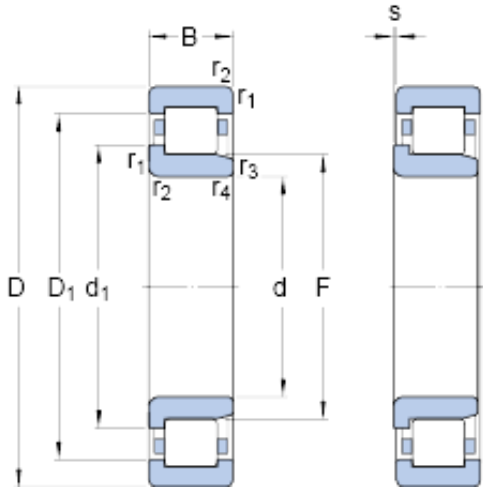




# BEARING DRIVESHAFT, INC.



120 mm x 215 mm x 40 mm SKF NJ 224 ECML  
thrust ball bearings

Bearing No. NJ 224 ECML

NJ 224 ECML Bearing 2D drawings and 3D CAD models

Size	215x120x40 mm
Bore Diameter	215 mm
Outer Diameter	120 mm
Width	40 mm
d	120 mm
D	215 mm
B	40 mm
d <sub>1</sub>	153 mm
D <sub>1</sub>	187.75 mm
F	143.5 mm
r <sub>1,2</sub> - min.	2.1 mm
r <sub>3,4</sub> - min.	2.1 mm
s	1.9 mm
d <sub>a</sub> - min.	132 mm
d <sub>a</sub> - max.	140 mm
d <sub>b</sub> - min.	156 mm
D <sub>a</sub> - max.	201.6 mm
r <sub>a</sub> - max.	2 mm
Basic dynamic load rating - C	390 kN
Basic static load rating - C <sub>0</sub>	430 kN
Fatigue load limit - P <sub>u</sub>	49 kN
Reference speed	3400 r/min
Limiting speed	5600 r/min
Calculation factor - k <sub>r</sub>	0.23



## BEARING DRIVESHAFT, INC.

$d_1$	153 mm
$D_1$	187.75 mm
$r_{1,2}$ min.	2.1 mm
$r_{3,4}$ min.	2.1 mm
s max.	1.9 mm
$d_a$ min.	132 mm
$d_a$ max.	140 mm
$d_b$ min.	156 mm
$D_a$ max.	201.6 mm
$r_a$ max.	2 mm
Basic dynamic load rating C	390 kN
Basic static load rating $C_0$	430 kN
Fatigue load limit $P_u$	49 kN
Calculation factor $k_r$	0.23
Limiting value e	0.2
Axial load factor Y	0.6
Mass bearing	6.39 kg