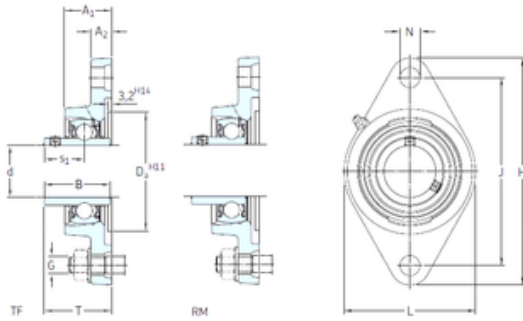




# BEARING DRIVESHAFT, INC.

## SKF FYT 1. RM bearing units



Bearing No. FYT 1. RM

Bore Diameter	25,4 mm
Width	27,2 mm
d	25,4 mm
s1	19,5 mm
A1	30 mm
B	27,2 mm
G	10 mm
H	124 mm
J	98,8 mm
L	70 mm
N	12,7 mm
T	38,8 mm
A2	12 mm
Weight	0,6 Kg
Basic dynamic load rating (C)	14 kN
Basic static load rating (C0)	7,8 kN
Fatigue load limit (Pu)	0,335
Category	Flange Block Bearings
Inventory	0.0
Manufacturer Name	SKF
Minimum Buy Quantity	N/A
Weight / Kilogram	0.55
Product Group	M06110
Number of Mounting Holes	2
Mounting Method	Set Screw
Housing Style	2 Bolt Flange Block

FYT 1. RM Bearing 2D drawings and 3D CAD models



## BEARING DRIVESHAFT, INC.

Rolling Element	Ball Bearing
Housing Material	Cast Iron
Expansion / Non-expansion	Non-expansion
Mounting Bolts	7/16 Inch
Relubricatable	Yes
Insert Part Number	YAT 205-100
Seals	M Seal
Housing Configuration	1 Piece Solid
Pilot Configuration	No Pilot
Inch - Metric	Inch
Long Description	2 Bolt Flange Block; 1" Bore; 3.9" Bolt Circle; 3-29/32" Bolt Spacing; 1 Piece Solid; Set Screw Mount; Cast Iron; Ball Bearing; 1-5/64" Length Thru Bore; Relubricatable; M Seal Sea
Other Features	Single Row   Standard Duty   Narrow Inner Race   Open End   Y Bearing
Category	Flange Block
UNSPSC	31171501
Harmonized Tariff Code	8483.20.40.40
Noun	Bearing
Keyword String	Flanged
Manufacturer URL	<a href="http://www.skf.com">http://www.skf.com</a>
Manufacturer Item Number	FYT 1. RM
Weight / LBS	1.2
Cartridge Pilot Depth	0 Inch   0 Millimeter
Bolt Spacing	3.906 Inch   99.2 Millimeter
Nominal Bolt Circle Diameter Round	3.9 Inch   99 Millimeter
Cartridge Pilot Diameter	0 Inch   0 Millimeter
Length Thru Bore	1.078 Inch   27.381 Millimeter



## BEARING DRIVESHAFT, INC.

Bore

1 Inch | 25.4 Millimeter