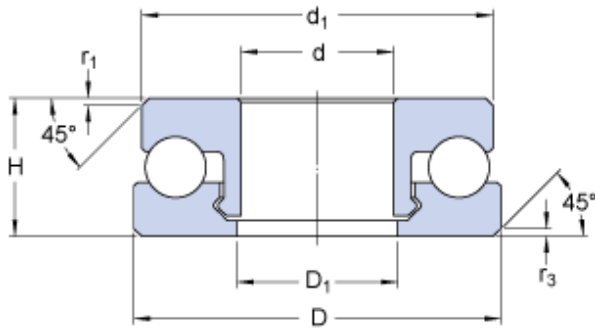




BEARING DRIVESHAFT, INC.

SKF 51200 V/HR22Q2 thrust ball bearings



Bearing No. 51200 V/HR22Q2

Size	42x10x11 mm
Bore Diameter	42 mm
Outer Diameter	10 mm
Width	11 mm
d	10 mm
D	42 mm
H	11 mm
d_1	25 mm
D_1	26 mm
r_1 - min.	0.2 mm
r_3 - min.	0.5 mm
Basic dynamic load rating - C	0.23 kN
Basic static load rating - C_0	0.185 kN
Limiting speed	550 r/min

51200 V/HR22Q2 Bearing 2D drawings and 3D CAD models