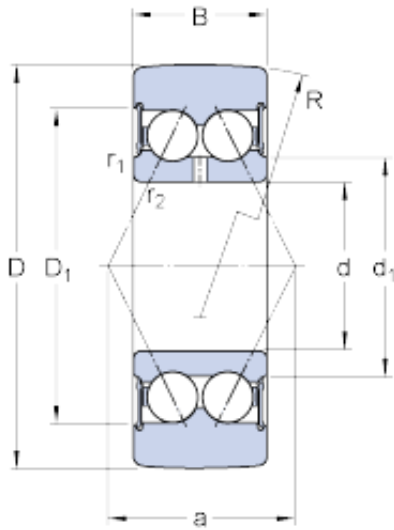




## BEARING DRIVESHAFT, INC.



305802 C-2RS1 Bearing 2D drawings and 3D CAD models

15 mm x 40 mm x 15.9 mm SKF 305802 C-2RS1 deep groove ball bearings

Bearing No. 305802 C-2RS1

Size	15x40x15.9 mm
Bore Diameter	15 mm
Outer Diameter	40 mm
Width	15,9 mm
D	40 mm
d	15 mm
B	15.9 mm
d <sub>1</sub>	20.2 mm
D <sub>1</sub>	30.7 mm
R	400 mm
r <sub>1,2</sub> - min.	0.6 mm
a	21 mm
Basic dynamic load rating - C	10.1 kN
Basic static load rating - C <sub>0</sub>	5.5 kN
Fatigue load limit - P <sub>u</sub>	0.263 kN
Maximum dynamic radial loads - F <sub>r</sub>	max. 5.8 kN
Maximum static radial loads - F <sub>0r</sub>	max. 8.5 kN
Limiting speed	9000 r/min
d <sub>1</sub>	20.2 mm
D <sub>1</sub>	30.7 mm
r <sub>1,2</sub> min.	0.6 mm
Basic dynamic load rating C	10.1 kN



## BEARING DRIVESHAFT, INC.

Basic static load rating $C_0$	5.5 kN
Fatigue load limit $P_u$	0.263 kN
Maximum dynamic radial load $F_r$ max.	5.85 kN
Maximum static radial load $F_{0r}$ max.	8.5 kN
Mass cam roller	0.1 kg