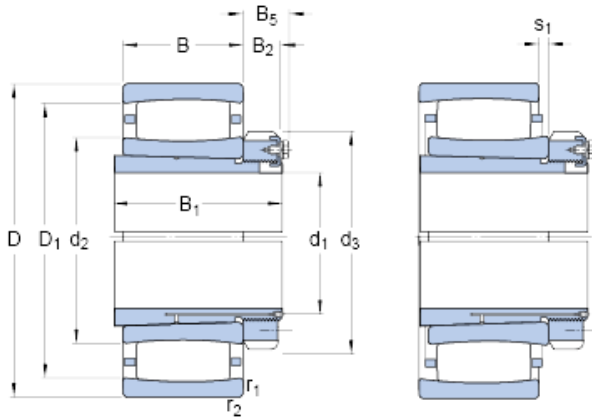




BEARING DRIVESHAFT, INC.



SKF C 30/500 KM + OH 30/500 H cylindrical roller bearings

Bearing No. C 30/500 KM + OH 30/500 H

C 30/500 KM + OH 30/500 H Bearing 2D drawings and 3D CAD models

Size	720x470x247 mm
Bore Diameter	720 mm
Outer Diameter	470 mm
Width	247 mm
d_1	470 mm
D	720 mm
B_1	247 mm
d_2	571 mm
d_3	580 mm
D_1	656 mm
B	167 mm
B_2	68 mm
B_5	85 mm
s_1	37.5 mm
$r_{1,2}$ - min.	6 mm
d_a - max.	600 mm
d_b - min.	519 mm
D_a - min.	637 mm
D_a - max.	697 mm
B_a - min.	18 mm
C_a - min.	2.3 mm
r_a - max.	5 mm
Basic dynamic load rating - C	4250 kN



BEARING DRIVESHAFT, INC.

Basic static load rating - C_0	8300 kN
Fatigue load limit - P_u	560 kN
Reference speed	630 r/min
Limiting speed	900 r/min
Factor - k_1	0.113
Factor - k_2	0.111