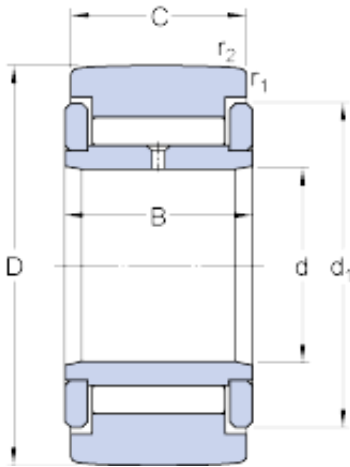




BEARING DRIVESHAFT, INC.



NATV 17 Bearing 2D drawings and 3D CAD models

17 mm x 40 mm x 21 mm SKF NATV 17
cylindrical roller bearings

Bearing No. NATV 17

Size	17x40x20 mm
Bore Diameter	17 mm
Outer Diameter	40 mm
Width	20 mm
D	40 mm
d	17 mm
C	20 mm
B	21 mm
d ₁	31.5 mm
r _{1,2} - min.	1 mm
Basic dynamic load rating - C	14.2 kN
Basic static load rating - C ₀	26.5 kN
Fatigue load limit - P _u	3.1 kN
Maximum static radial loads - F _r	17 kN
Maximum static radial loads - F _{or}	24.5 kN
Limiting speed	2200 r/min
Category	Bearings
Inventory	0.0
Manufacturer Name	SKF
Minimum Buy Quantity	N/A
Weight / Kilogram	0.152
Product Group	B04144
d ₁	31.5 mm



BEARING DRIVESHAFT, INC.

$r_{1,2}$ min.	1 mm
Basic dynamic load rating C	14.2 kN
Basic static load rating C_0	26.5 kN
Fatigue load limit P_u	3.1 kN
Maximum dynamic radial loads F_r max.	17 kN
Maximum static radial loads F_{0r} max.	24.5 kN
Mass support roller	0.15 kg