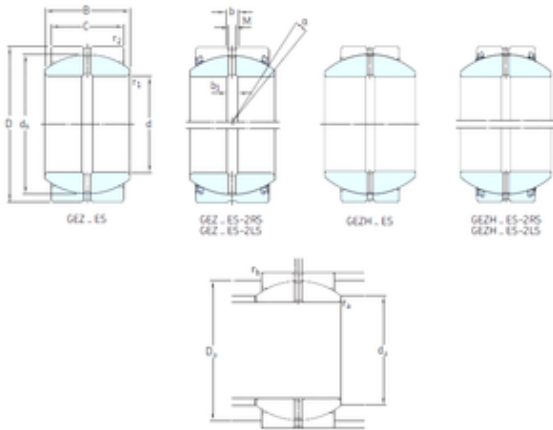




BEARING DRIVESHAFT, INC.



63,5 mm x 100,013 mm x 55,55 mm SKF
GEZ208ES-2LS plain bearings

Bearing No. GEZ208ES-2LS

GEZ208ES-2LS Bearing 2D drawings and 3D CAD models

Size	63.5x100.013x55.55 mm
Bore Diameter	63,5 mm
Outer Diameter	100,013 mm
Width	55,55 mm
d	63,5 mm
D	100,013 mm
B	55,55 mm
C	47,63 mm
b	9 mm
b1	8 mm
dk	91,186 mm
r1 min.	0,6 mm
r2 min.	1 mm
M	6,5 mm
da min.	68,3 mm
da max	72,3 mm
Da min	87 mm
Da max.	94,7 mm
ra max.	0,6 mm
rb max.	1 mm
Angle	6 °
Weight	1,85 Kg
Basic dynamic load rating (C)	345 kN