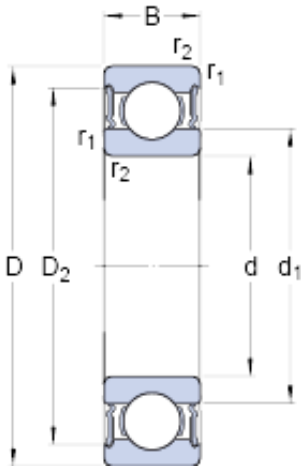




BEARING DRIVESHAFT, INC.



60 mm x 110 mm x 22 mm SKF 6212-2RS1 deep groove ball bearings

Bearing No. 6212-2RS1

6212-2RS1 Bearing 2D drawings and 3D CAD models

Size	110x60x22 mm
Bore Diameter	110 mm
Outer Diameter	60 mm
Width	22 mm
d	60 mm
D	110 mm
B	22 mm
d ₁	75.5 mm
D ₂	98 mm
r _{1,2} - min.	1.5 mm
d _a - min.	69 mm
d _a - max.	75.4 mm
D _a - max.	101 mm
r _a - max.	1.5 mm
Basic dynamic load rating - C	55.3 kN
Basic static load rating - C ₀	36 kN
Fatigue load limit - P _u	1.5 kN
Limiting speed	4000 r/min
Calculation factor - k _r	0.025
Calculation factor - f ₀	14.3
Category	Single Row Ball Bearings
Inventory	0.0
Manufacturer Name	SKF
Minimum Buy Quantity	N/A



BEARING DRIVESHAFT, INC.

Weight / Kilogram	0.83
EAN	7316570803488
Product Group	B00308
Enclosure	2 Seals
Precision Class	ABEC 1 ISO P0
Maximum Capacity / Filling Slot	No
Rolling Element	Ball Bearing
Snap Ring	No
Internal Special Features	No
Cage Material	Steel
Enclosure Type	Contact Seal
Internal Clearance	C0-Medium
Inch - Metric	Metric
Long Description	60MM Bore; 110MM Outside Diameter; 22MM Outer Race Diameter; 2 Seals; Ball Bearing; ABEC 1 ISO P0; No Filling Slot; No Snap Ring; No Internal Special Features
Category	Single Row Ball Bearing
UNSPSC	31171504
Harmonized Tariff Code	8482.10.50.68
Noun	Bearing
Keyword String	Ball
Manufacturer URL	http://www.skf.com
Manufacturer Item Number	6212-2RS1
Weight / LBS	1.83
Outside Diameter	4.331 Inch 110 Millimeter
Bore	2.362 Inch 60 Millimeter
Outer Race Width	0.866 Inch 22 Millimeter
d ₁	75.5 mm
D ₂	98 mm



BEARING DRIVESHAFT, INC.

$r_{1,2}$ min.	1.5 mm
d_a min.	69 mm
d_a max.	75.4 mm
D_a max.	101 mm
r_a max.	1.5 mm
Basic dynamic load rating C	55.3 kN
Basic static load rating C_0	36 kN
Fatigue load limit P_u	1.53 kN
Calculation factor k_r	0.025
Calculation factor f_0	14.3
Mass bearing	0.82 kg