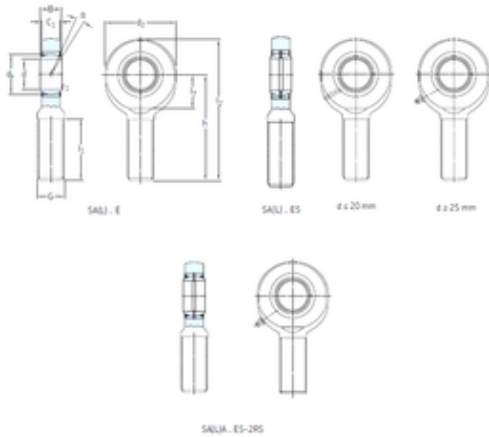




BEARING DRIVESHAFT, INC.



SKF SAL80ES-2RS plain bearings

Bearing No. SAL80ES-2RS

Bore Diameter	80 mm
d	80 mm
d2	182 mm
dk	105 mm
h	295 mm
l1 min.	147 mm
l2 max.	389 mm
l7 min.	98 mm
r1 min.	1 mm
B	55 mm
C1	48 mm
Thread (G)	M80x4 Tolerance 6g
Angle	5 °
Weight	14,5 Kg
Basic dynamic load rating (C)	400 kN

SAL80ES-2RS Bearing 2D drawings and 3D CAD models