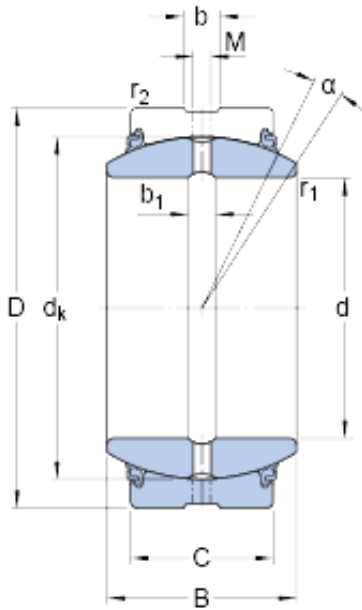




## BEARING DRIVESHAFT, INC.

69.85 mm x 111.125 mm x 61.112 mm SKF GEZ 212 ESX-2LS plain bearings

Bearing No. GEZ 212 ESX-2LS



GEZ 212 ESX-2LS Bearing 2D drawings and 3D CAD models

Size	111.125x69.85x61.112 mm
Bore Diameter	111,125 mm
Outer Diameter	69,85 mm
Width	61,112 mm
d	69.85 mm
D	111.125 mm
B	61.112 mm
C	52.375 mm
	6 °
d <sub>k</sub>	100.33 mm
b	9 mm
b <sub>1</sub>	8 mm
M	6.5 mm
r <sub>1</sub> - min.	0.6 mm
r <sub>2</sub> - min.	1 mm
d <sub>a</sub> - min.	74.9 mm
d <sub>a</sub> - max.	79.6 mm
D <sub>a</sub> - min.	96 mm
D <sub>a</sub> - max.	105.7 mm
r <sub>a</sub> - max.	0.6 mm
r <sub>b</sub> - max.	1 mm
Basic dynamic load rating - C	630 kN
Basic static load rating - C <sub>0</sub>	1270 kN
Specific factor dinamic load - K	150 N/mm <sup>2</sup>



## BEARING DRIVESHAFT, INC.

Specific factor static load - $K_0$	300 N/mm <sup>2</sup>
Constant - $K_M$	330
Lubricant	Maintenance free – greased for life
Design (sliding contact surface combination)	Steel/steel
Sealing solution	Triple-lip seals
	6 °
$d_k$	100.33 mm
$b_1$	8 mm
$r_1$ min.	0.6 mm
$r_2$ min.	1 mm
$d_a$ min.	74.9 mm
$d_a$ max.	79.6 mm
$D_a$ min.	96 mm
$D_a$ max.	105.7 mm
$r_a$ max.	0.6 mm
$r_b$ max.	1 mm
Basic dynamic load rating C	630 kN
Basic static load rating $C_0$	1270 kN
Specific dynamic load factor K	150 N/mm <sup>2</sup>
Specific static load factor $K_0$	300 N/mm <sup>2</sup>
Material constant $K_M$	330
Mass plain bearing	2.4 kg