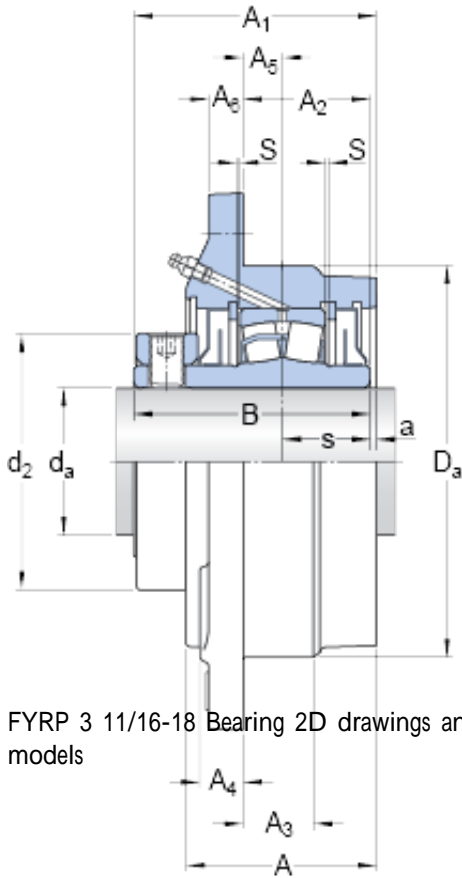




BEARING DRIVESHAFT, INC.



FYRP 3 11/16-18 Bearing 2D drawings and 3D CAD models

SKF FYRP 3 11/16-18 bearing units

Bearing No. FYRP 3 11/16-18

Size	93.662x152.4x206.375 mm
Bore Diameter	93,662 mm
Outer Diameter	152,4 mm
Width	206,375 mm
d_a	93.662 mm
d_2	152.4 mm
D_a	206.375 mm
A	92.075 mm
A_1	121.444 mm
A_2	61.119 mm
A_3	50.8 mm
A_4	25.4 mm
A_5	20.638 mm
A_6	22.225 mm
B	116.681 mm
a	5.556 mm
J	238.125 mm
L	276.225 mm
N_1	20.638 mm
s	41.275 mm
S	0.794 mm
Basic dynamic load rating - C	311 kN
Limiting speed	2200 r/min
d_a	93.662 mm



BEARING DRIVESHAFT, INC.

d_2	152.4 mm
D_a	206.375 mm
A_1	121.444 mm
A_2	61.119 mm
A_3	50.8 mm
A_4	25.4 mm
A_5	20.637 mm
A_6	22.225 mm
N_1	20.637 mm
Basic dynamic load rating C	311 kN
Mass bearing unit	18.6 kg
Attachment bolt diameter G	19.05 mm