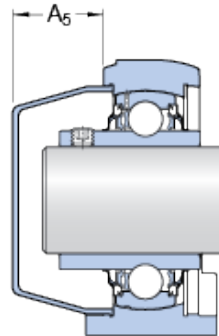
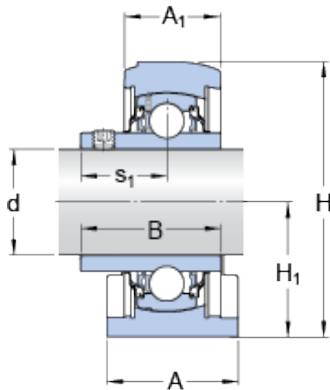




# BEARING DRIVESHAFT, INC.



## SKF SYFWK 25 LTHR bearing units

Bearing No. SYFWK 25 LTHR

SYFWK 25 LTHR Bearing 2D drawings and 3D CAD models

Size	25x40x25.5 mm
Bore Diameter	25 mm
Outer Diameter	40 mm
Width	25,5 mm
d	25 mm
A	40 mm
A <sub>1</sub>	25.5 mm
B	34.1 mm
H	73.5 mm
H <sub>1</sub>	36.5 mm
J	50.8 mm
L	76 mm
s <sub>1</sub>	19.8 mm
Basic dynamic load rating - C	11.9 kN
Basic static load rating - C <sub>0</sub>	7.8 kN
Fatigue load limit - P <sub>u</sub>	0.335 kN
Limiting speed	4300 r/min
Calculation factor - f <sub>0</sub>	14
Weight	0.33 kg
Size thread - G	M10
Thread length - G <sub>1</sub>	12 mm
Hexagonal key size for grub screw - H	3 mm
Recommended tightening torque for grub screw	4 N · m



## BEARING DRIVESHAFT, INC.

Housing	SYFWK 505 L
Bearing - YAR 205-2RFGR/HV	YAR 2052RFGR/HV
Category	Bearings
Inventory	0.0
Manufacturer Name	SKF
Minimum Buy Quantity	N/A
Weight / Kilogram	0
Product Group	M06110
Housing material	Composite for food and beverage
A <sub>1</sub>	25.5 mm
A <sub>5</sub>	22 mm
H <sub>1</sub>	36.5 mm
s <sub>1</sub>	19.8 mm
Basic dynamic load rating C	11.9 kN
Basic static load rating C <sub>0</sub>	7.8 kN
Fatigue load limit P <sub>u</sub>	0.335 kN
Mass bearing unit	0.33 kg
Thread size attachment end G	M10
Thread length G <sub>1</sub>	12 mm
Thread grub screw G <sub>2</sub>	M6x0.75
Hexagonal key size for grub screw N	3 mm