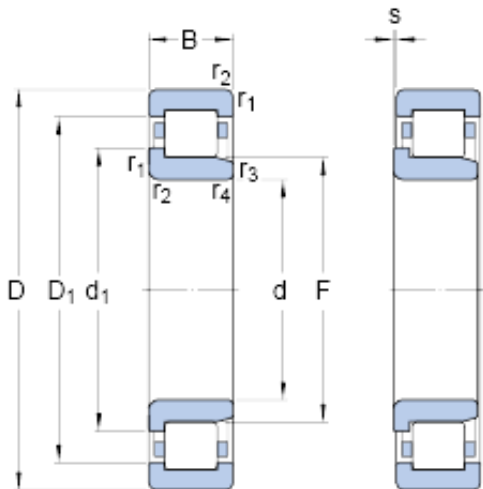




# BEARING DRIVESHAFT, INC.



## 35 mm x 72 mm x 23 mm SKF NJ 2207 ECM thrust ball bearings

Bearing No. NJ 2207 ECM

Size	72x35x23 mm
Bore Diameter	72 mm
Outer Diameter	35 mm
Width	23 mm
d	35 mm
D	72 mm
B	23 mm
d <sub>1</sub>	48.1 mm
D <sub>1</sub>	60.2 mm
F	44 mm
r <sub>1,2</sub> - min.	1.1 mm
r <sub>3,4</sub> - min.	1.1 mm
s	2.8 mm
d <sub>a</sub> - min.	41.8 mm
d <sub>a</sub> - max.	42.2 mm
d <sub>b</sub> - min.	50 mm
D <sub>a</sub> - max.	65.1 mm
r <sub>a</sub> - max.	1 mm
Basic dynamic load rating - C	69.5 kN
Basic static load rating - C <sub>0</sub>	63 kN
Fatigue load limit - P <sub>u</sub>	8.2 kN
Reference speed	11000 r/min
Limiting speed	12000 r/min
Calculation factor - k <sub>r</sub>	0.2

NJ 2207 ECM Bearing 2D drawings and 3D CAD models



# BEARING DRIVESHAFT, INC.