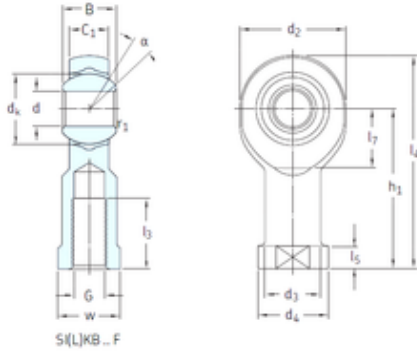




BEARING DRIVESHAFT, INC.

SKF SIKB5F plain bearings



Bearing No. SIKB5F

| | |
|-------------------------------|-----------------|
| Bore Diameter | 5 mm |
| d | 5 mm |
| d2 max. | 19 mm |
| d3 | 9 mm |
| d4 max. | 12 mm |
| dk | 11,1 mm |
| h1 | 27 mm |
| l3 min. | 8 mm |
| l4 max. | 37 mm |
| l5 | 4 mm |
| l7 min. | 9 mm |
| r1 min. | 0,3 mm |
| B | 8 mm |
| C1 max | 6 mm |
| w | 9 Tolerance h14 |
| Thread (G) | M5 Tolerance 6H |
| Angle | 13 ° |
| Weight | 0,019 Kg |
| Basic dynamic load rating (C) | 3,25 kN |

SIKB5F Bearing 2D drawings and 3D CAD models