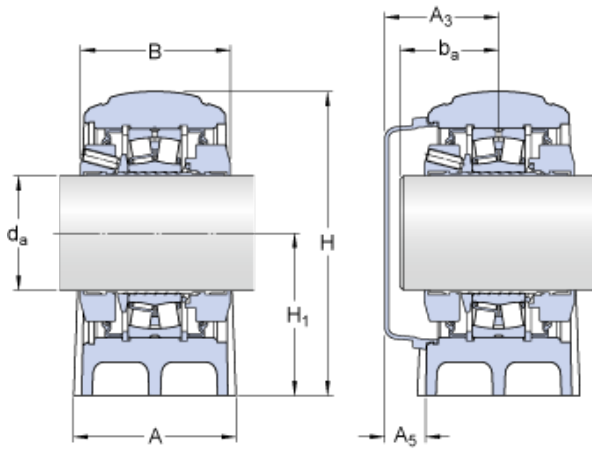




BEARING DRIVESHAFT, INC.



SKF SYNT 50 F bearing units

Bearing No. SYNT 50 F

Size	50x70x65 mm
Bore Diameter	50 mm
Outer Diameter	70 mm
Width	65 mm
d_a	50 mm
A	70 mm
B	65 mm
H	131 mm
H_1	70 mm
H_2	28 mm
J	210 mm
L	255 mm
H	24 mm
N_1	18 mm
J_6	234 mm
J_7	26 mm
N_4 - max.	8 mm
A_3	62 mm
A_5	29.5 mm
b_a - min.	34 mm
b_a - max.	55 mm
Basic dynamic load rating - C	104 kN
Basic static load rating - C_0	108 kN
Fatigue load limit - P_u	11.8 kN

SYNT 50 F Bearing 2D drawings and 3D CAD models



BEARING DRIVESHAFT, INC.

Limiting speed	3300 r/min
Calculation factor - e	0.24
Calculation factor - Y_1	2.8
Calculation factor - Y_2	4.2
Diameter - d_m	70 mm
Basic Designation bearing	22210 E
P_a	15 kN
P_{0°	190 kN
P_{55°	330 kN
P_{90°	200 kN
P_{120°	130 kN
P_{150°	115 kN
P_{180°	140 kN
Mass bearing unit	5.8 kg
Category	Pillow Block Bearings
Inventory	0.0
Manufacturer Name	SKF
Minimum Buy Quantity	N/A
Weight / Kilogram	5.72
Product Group	M06110
Number of Mounting Holes	2
Mounting Method	Stepped Sleeve
Housing Style	2 Bolt Pillow Block
Rolling Element	Spherical Roller Bearing
Housing Material	Cast Iron
Expansion / Non-expansion	Non-expansion
Mounting Bolts	16 Millimeter
Relubricatable	Yes
Insert Part Number	22210 E
Seals	Trigard
Housing Configuration	1 Piece Solid



BEARING DRIVESHAFT, INC.

Inch - Metric	Metric
Other Features	Double Row Locating Bearing With Grub Screw
Long Description	2 Bolt Pillow Block; 50MM Bore; 70MM Base to Center Height; Stepped Sleeve Mount; Spherical Roller Bearing; Relubricatable; Cast Iron; Trigard; Non-expansion
Category	Pillow Block
UNSPSC	31171511
Harmonized Tariff Code	8483.20.40.80
Noun	Bearing
Keyword String	Pillow Block
Manufacturer URL	http://www.skf.com
Manufacturer Item Number	SYNT 50 F
Weight / LBS	12.6
Bore	1.969 Inch 50 Millimeter
Bolt Spacing Maximum	0 Inch 0Millimeter
Length Thru Bore	2.559 Inch 65 Millimeter
Actual Bolt Center to Center	8.3 Inch 210Millimeter
Nominal Bolt Center to Center	8.3 Inch 210 Millimeter
Base to Center Height	2.756 Inch 70 Millimeter
Bolt Spacing Minimum	0 Inch 0Millimeter
bore diameter:	50 mm
expansion type:	Expansion Bearing (Floating)
overall length:	255 mm
finish/coating:	Uncoated
overall height:	5.1570 in
radial dynamic load capacity:	23400 lbf



BEARING DRIVESHAFT, INC.

mounting:	Two-Bolt Base
radial static load capacity:	24300 lbf
bearing type:	Spherical Roller
maximum rpm:	3300 RPM
bore type:	Round
lubrication type:	Lubrication Fitting
housing construction:	Split Pillow Block
operating temperature range:	+55 to +120 ° F
base to bore centerline:	2.7500 in
series:	SYNT
bolt center-to-center length:	8.2677 in
replacement bearing:	22210E
base width:	2.7559 in
d_a	50 mm
H_1	70 mm
H_2	28 mm
N	24 mm
N_1	18 mm
A_3	62 mm
A_5	29.5 mm
b_a min.	34 mm
b_a max.	55 mm
J_6	234 mm
J_7	26 mm
N_4 max.	8 mm
Basic dynamic load rating C	104 kN
Basic static load rating C_0	108 kN
Fatigue load limit P_u	11.8 kN
Calculation factor e	0.24
Calculation factor Y_1	2.8
Calculation factor Y_2	4.2
Bearing mean diameter d_m	70 mm



BEARING DRIVESHAFT, INC.

P_{0°	190 kN
P_{55°	330 kN
P_{90°	200 kN
P_{120°	130 kN
P_{150°	115 kN
P_{180°	140 kN
P_a	15 kN
Attachment bolt diameter G	16 mm
Tightening torque for attachment bolts	200 N · m
Grub screws	3 x M 6
Tightening torque for grub screws	8 N · m
Grease quantity for relubrication	4 g